

24B9

TRIGATRON

Service types CV6008 and CV6173

INTRODUCTION

The 24B9 is a gas-filled triggered spark gap intended for use in line-discharge modulators. It may be used as a direct replacement for the 24B1, with improved life.

GENERAL DATA

Overall length	156mm (6.142 inches) max
Overall diameter	70mm (2.756 inches) max
Base	CL3
Top cap	B.S.448-CT5
Mounting position	any
Net weight	7 ounces (200g) approx
Cooling	natural



MAXIMUM AND MINIMUM RATINGS (Absolute values)

These ratings cannot necessarily be used simultaneously, and no individual rating should be exceeded.

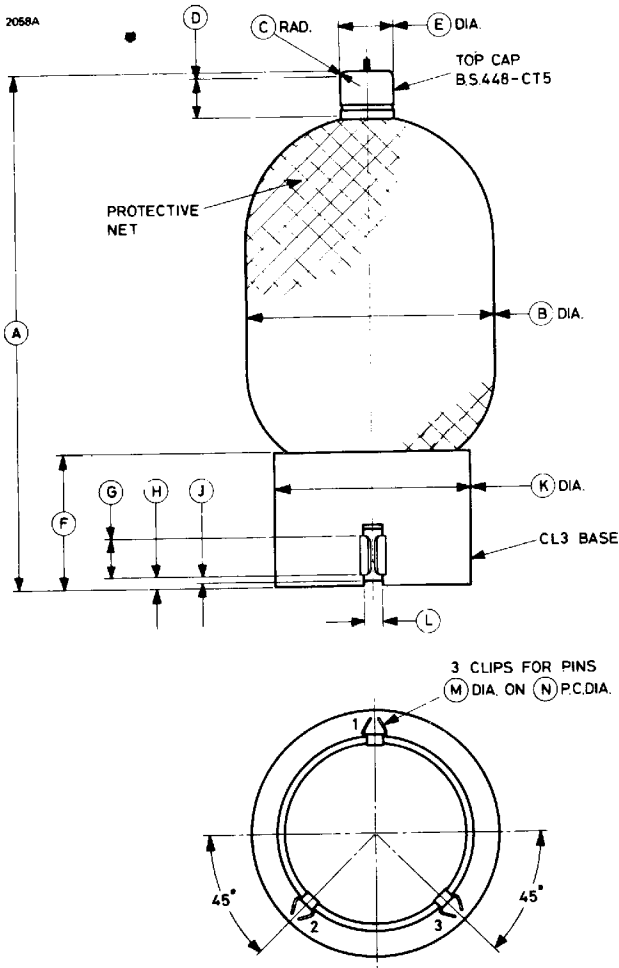
	Min	Max	
Main gap pulse voltage (anode positive)	6.6	10.5	kV
Pulse length	—	1.0	μs
Pulse repetition frequency	—	3000	p.p.s.

TYPICAL OPERATION

Main gap pulse voltage (anode positive)	7.2	kV
Average trigger voltage (see note)	3.2	kV
Peak power output	160	kW
Jitter	0.2	μs
Pulse length	0.5	μs
Pulse repetition frequency	1200	p.p.s.

Note With an open circuit voltage of 8.5kV, having a rise time of approximately 0.67μs.

OUTLINE



Outline Dimensions

Ref	Millimetres	Inches
A	14 5 .8 max	5.740 max
B	70.00 max	2.756 max
C*	1.78 max	0.070 max
D*	11.94 min	0.470 min
E*	14.99 ± 0.13	0.590 ± 0.005
F	36.5 ± 2.5	1.437 ± 0.098
G	11.00 ± 0.20	0.433 ± 0.008
H	4.00 max	0.157 max
J	1.50 max	0.059 max
K	55.50 ± 0.30	2.185 ± 0.012
L	5.50 ± 0.13	0.217 ± 0.005
M	4.20	0.165
N	60.60 ± 0.25	2.386 ± 0.010

Inch dimensions have been derived from millimetres except where indicated thus *



Base Connections

Ref	Element
1	Trigger
2	Anode
3	No connection
Top cap	Cathode